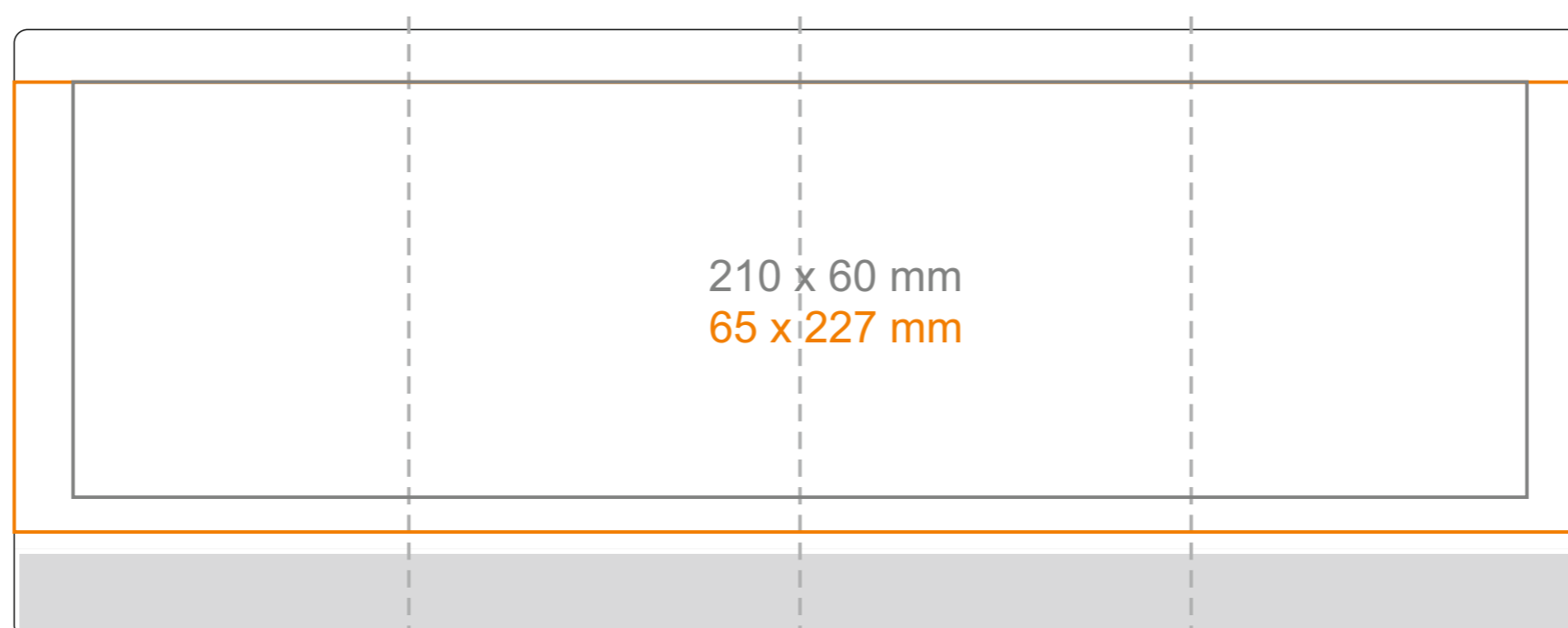
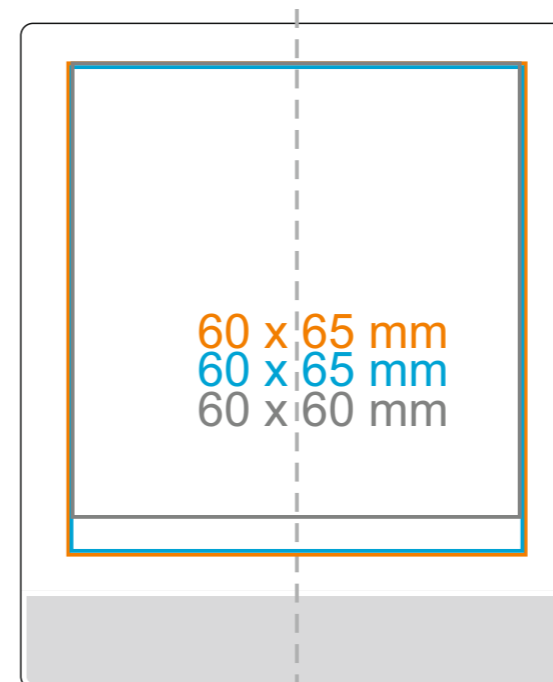
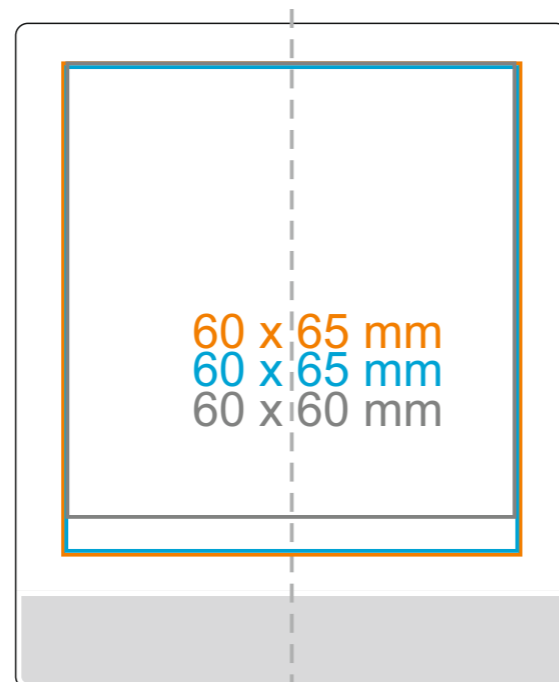


G_530 SUMMER

220 ml / h: 88 mm / Ø 73 mm



*In the case of projects for transfer print running outside of the standard print area, please contact our sales department.

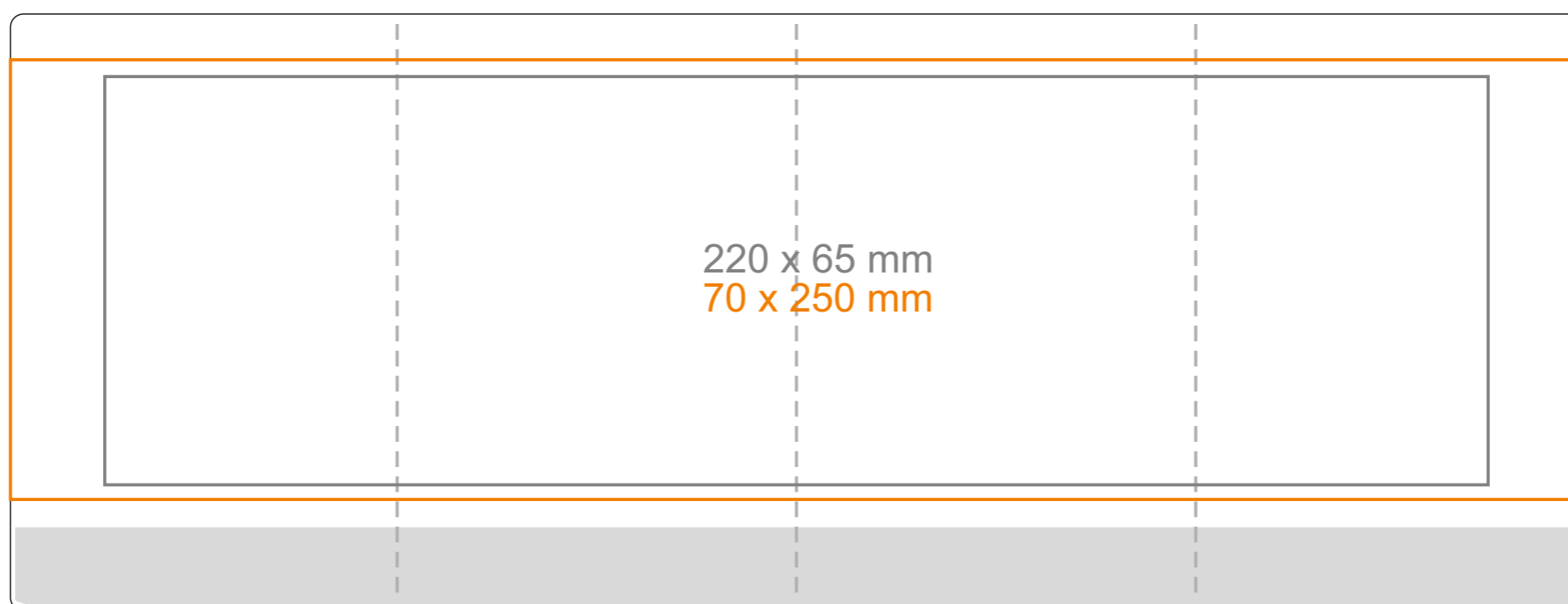
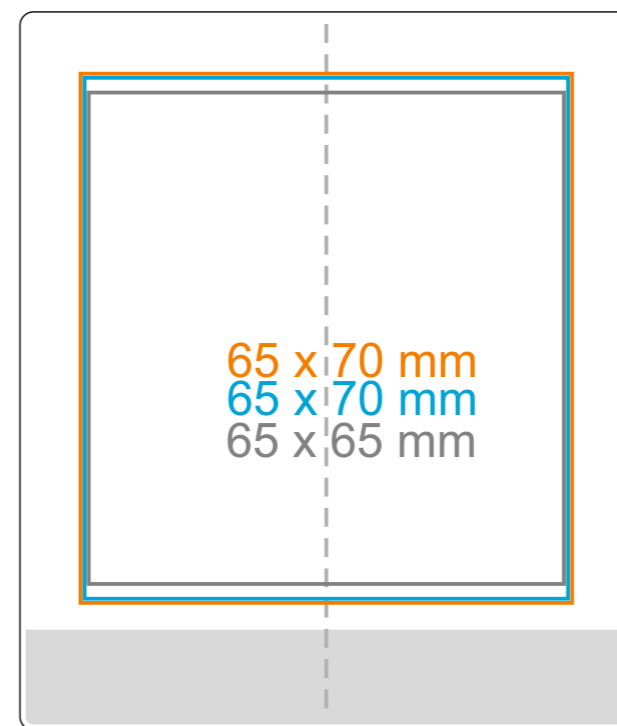
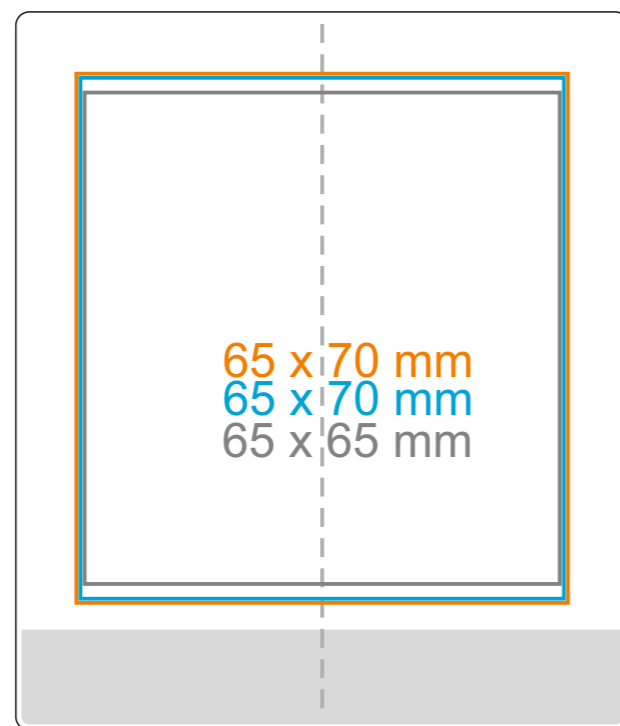
[How to prepare print material](#)

meaning

- Transfer Print
- Laser Engraving
- Direct Print

G_530 SUMMER

300 ml / h: 95 mm / Ø 81 mm



*In the case of projects for transfer print running outside of the standard print area, please contact our sales department.

[How to prepare print material](#)

meaning

- Transfer Print
- Laser Engraving
- Direct Print