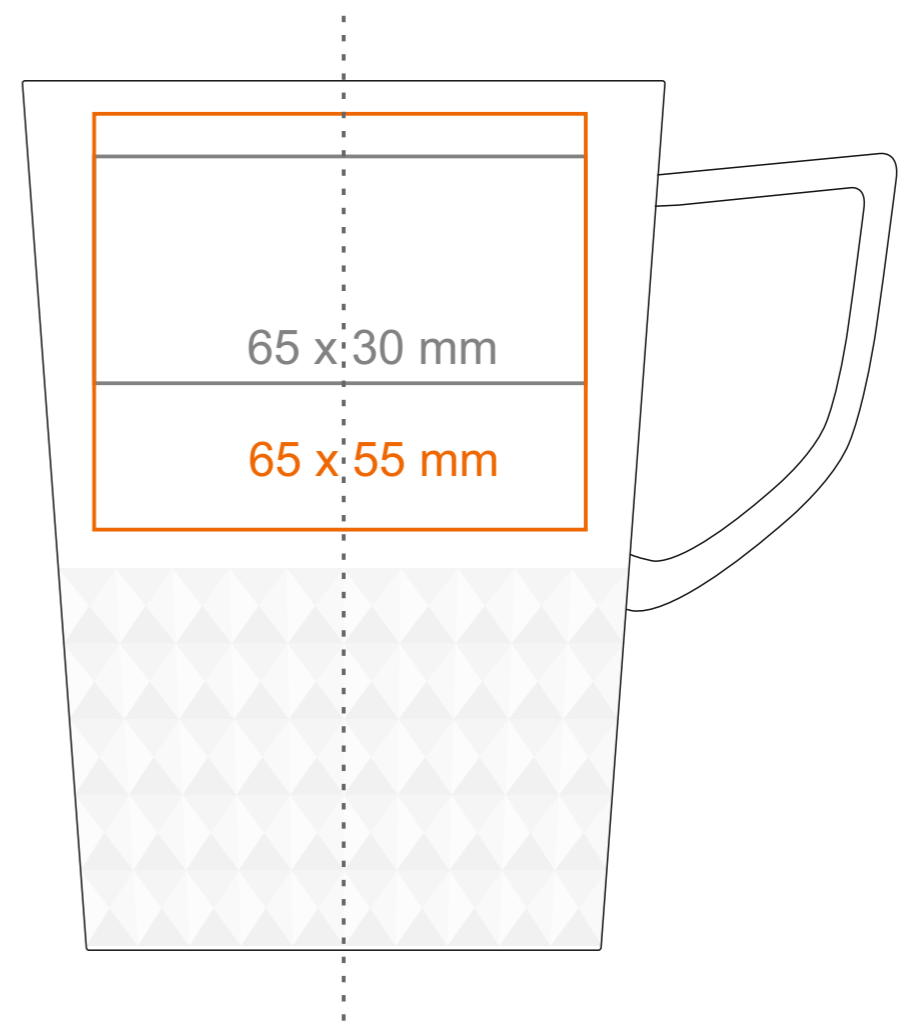
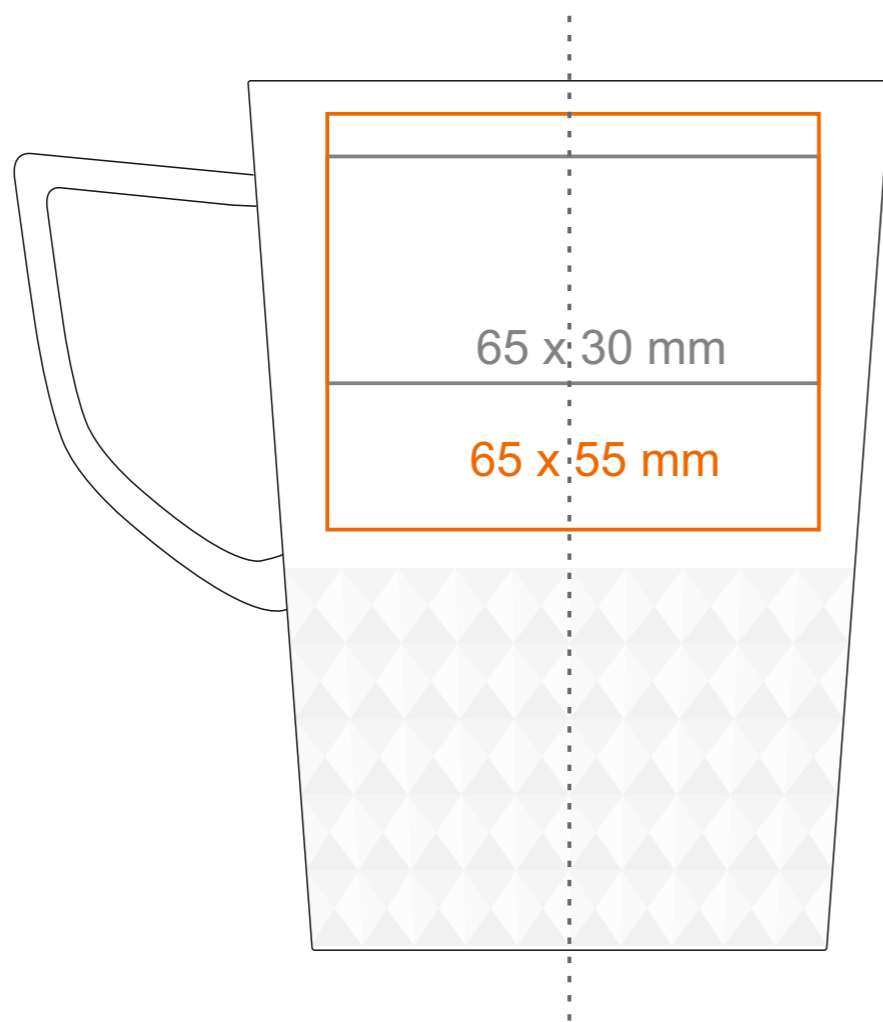
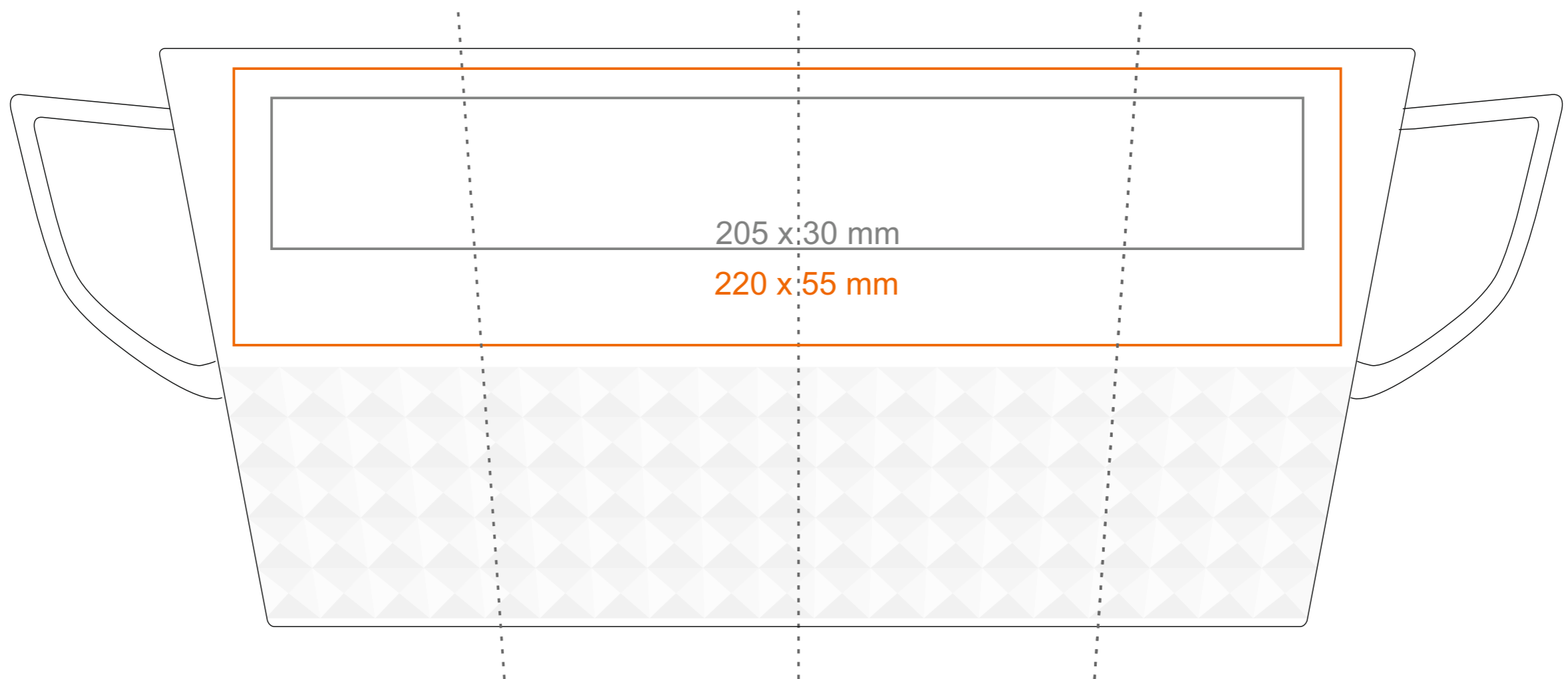


M_141 Diamond

350 ml / h: 115 mm / Ø 85 mm



Imprint on the handle
 Imprint on the inside
 Imprint on the bottom outside

- 50 x 10 mm
- 40 x 20 mm
- Ø 45 mm

*In the case of projects for transfer print running outside of the standard print area, please contact our sales department.

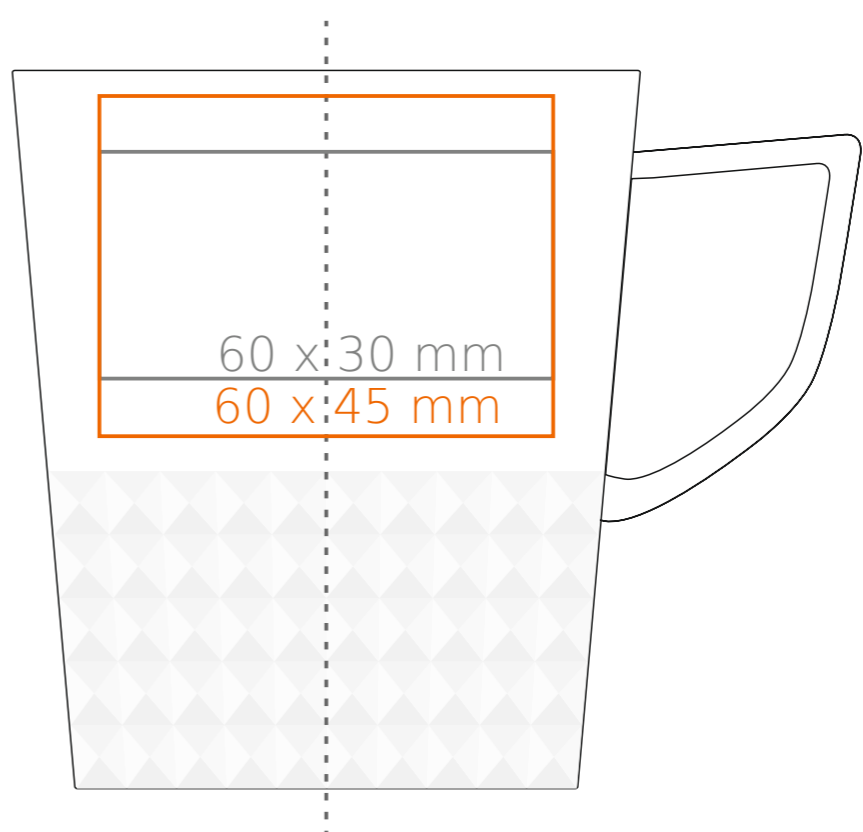
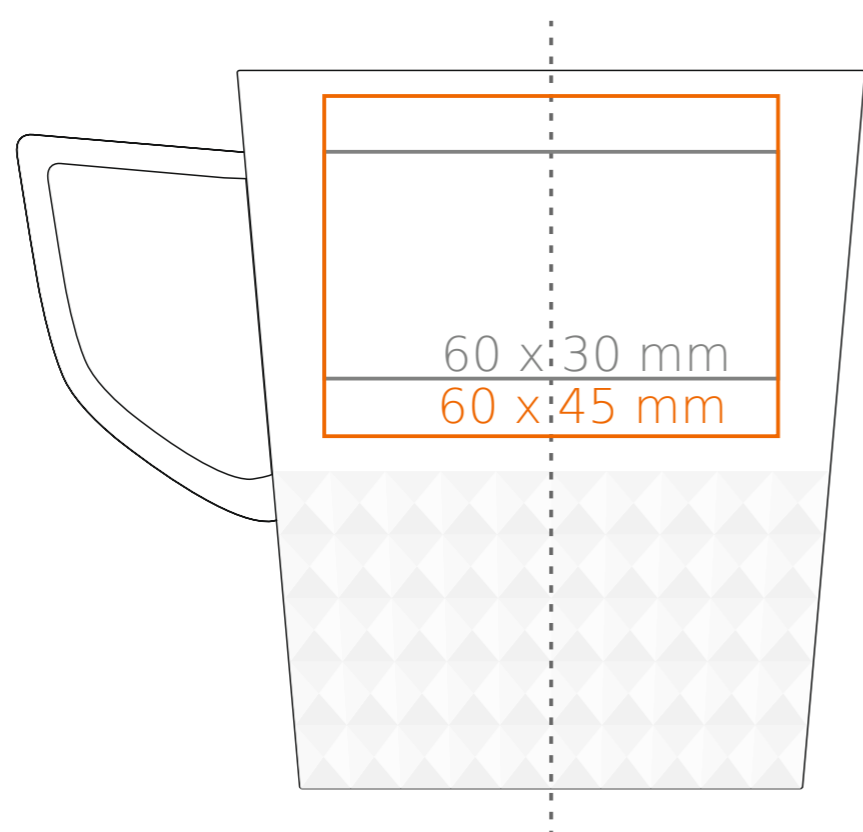
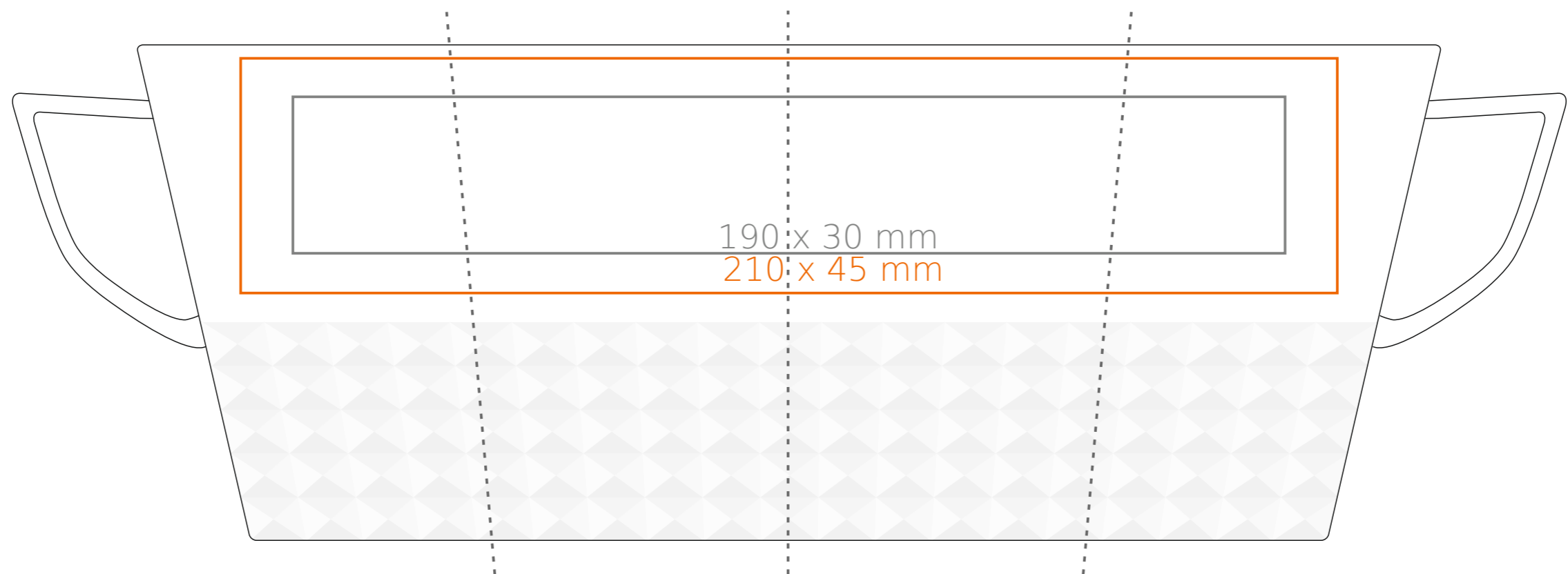
[How to prepare print material](#)

meaning

- Transfer Print
- Sensitive Touch
- Direct Print

M_141 Diamond

265 ml / h: 95 mm / Ø 83 mm



- Imprint on the handle - 50 x 10 mm
- Imprint on the inside - 40 x 20 mm
- Imprint on the bottom outside - Ø 45 mm

*In the case of projects for transfer print running outside of the standard print area, please contact our sales department.

[How to prepare print material](#)

meaning

- Transfer Print
- Sensitive Touch
- Direct Print