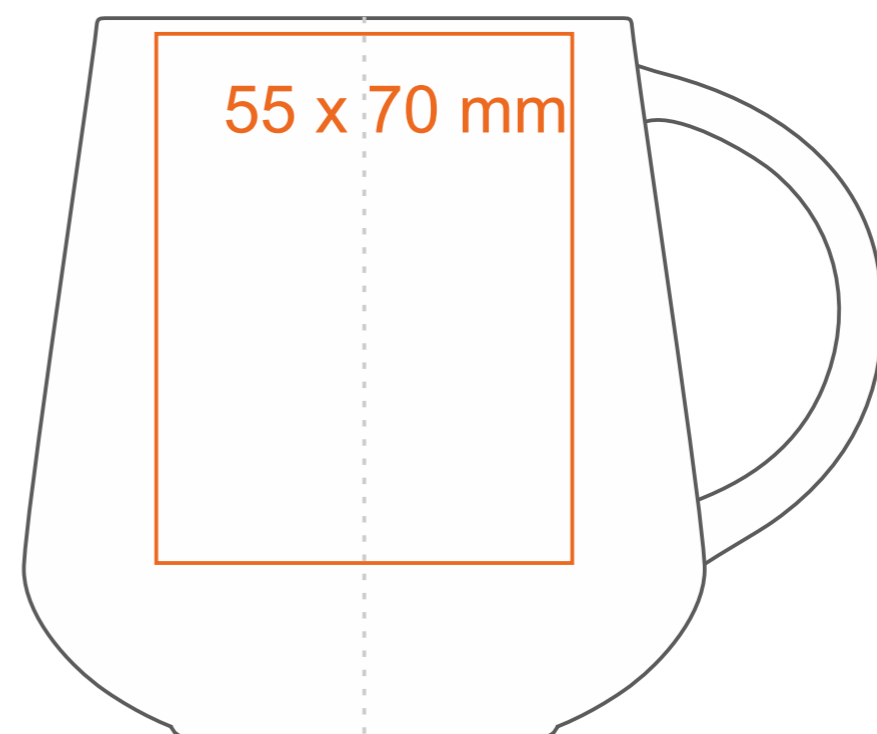
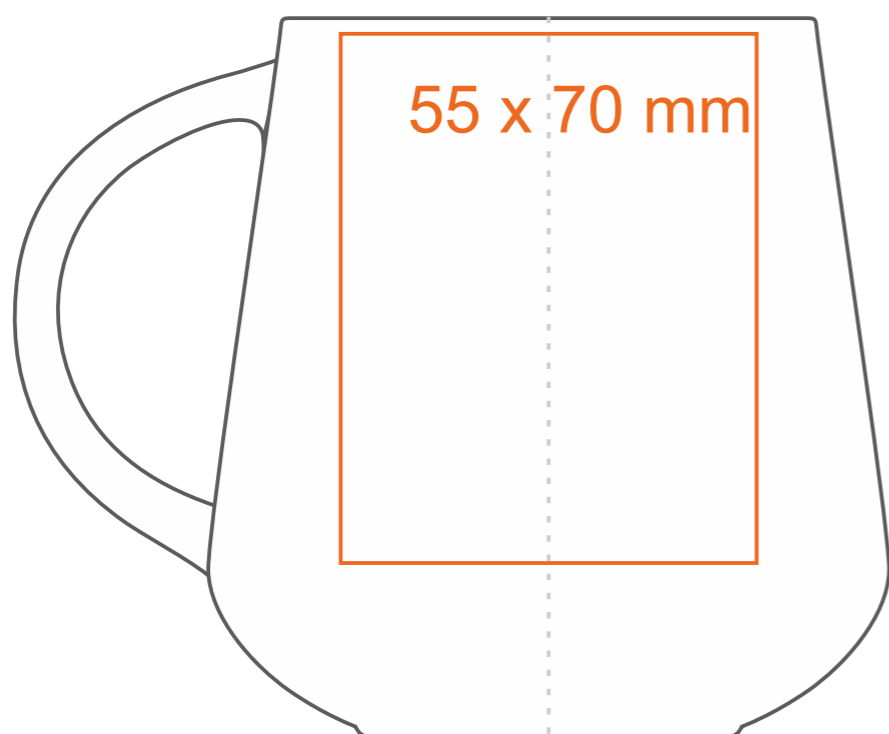
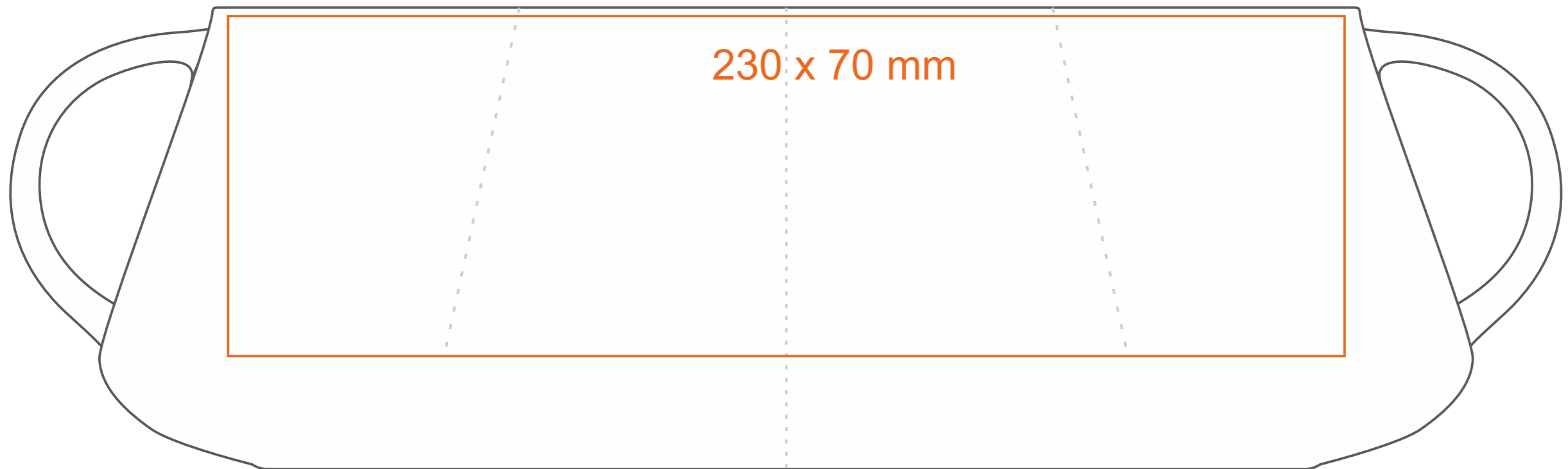


M_490 Melody

350 ml / h: 95 mm / Ø 75 mm



Imprint on the handle
 Imprint on the inside
 Imprint on the bottom inside
 Imprint on the bottom outside

- 90 x 10 mm
- 40 x 20 mm
- Ø 30 mm
- Ø 30 mm

*In the case of projects for transfer print running outside of the standard print area, please contact our sales department.

[How to prepare print material](#)

meaning

— Transfer Print
 — Sensitive Touch