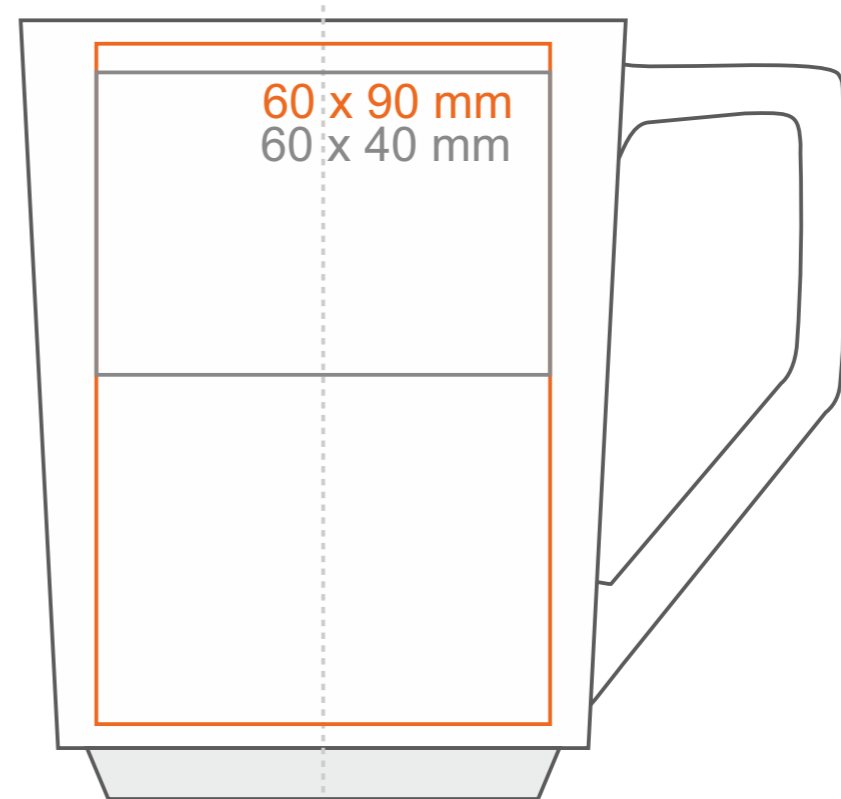
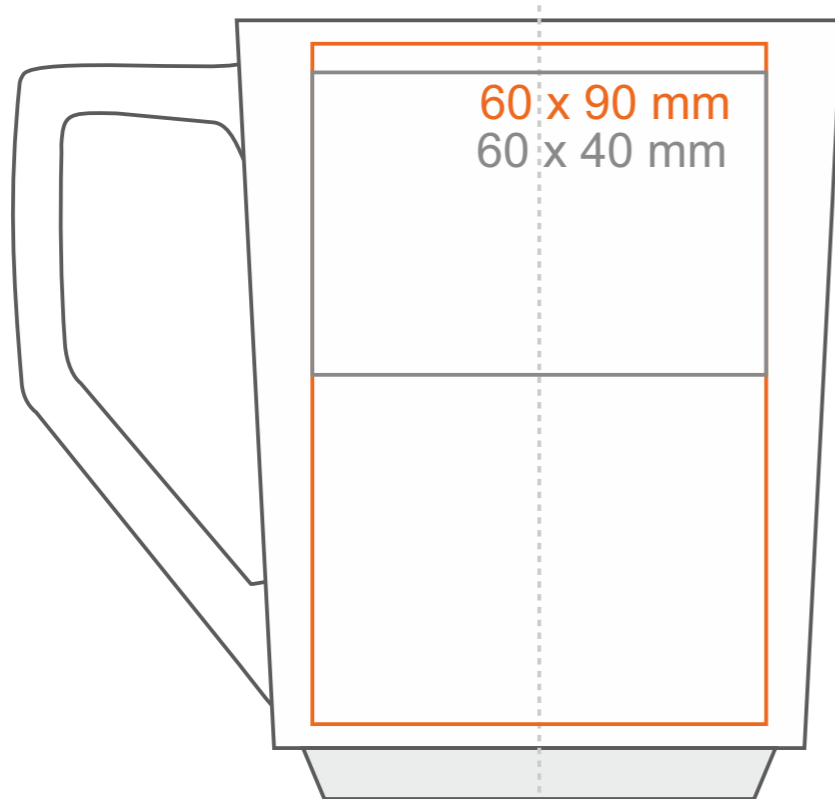
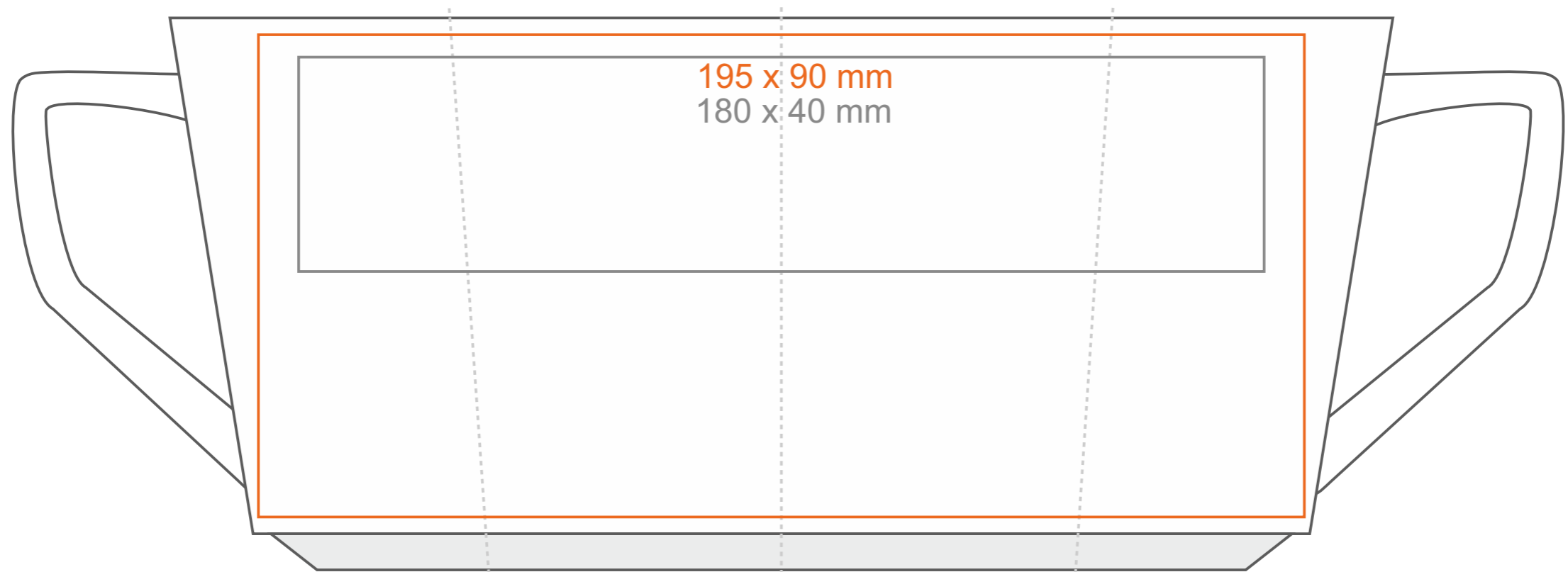


M_498 Ivory

300 ml / h: 103 mm / Ø 80 mm



Imprint on the handle

- 100 x 12 mm

Imprint on the inside

- 50 x 20 mm

Imprint on the bottom inside

- Ø 30 mm

Imprint on the bottom outside

- Ø 30 mm

*In the case of projects for transfer print running outside of the standard print area, please contact our sales department.

[How to prepare print material](#)

meaning

- Transfer Print
- Sensitive Touch
- Direct Print